

NOTES :

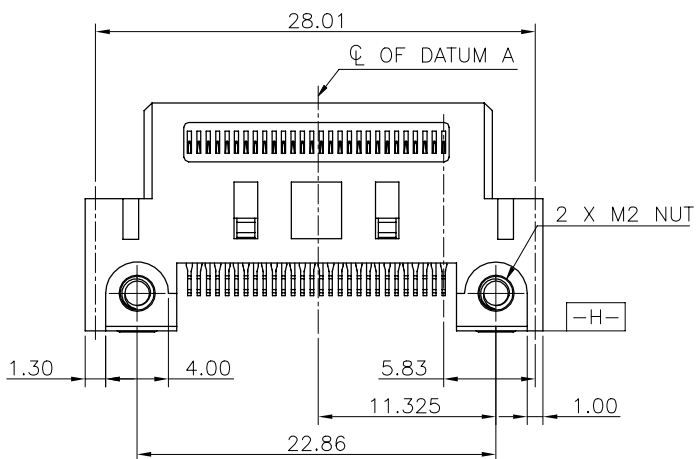
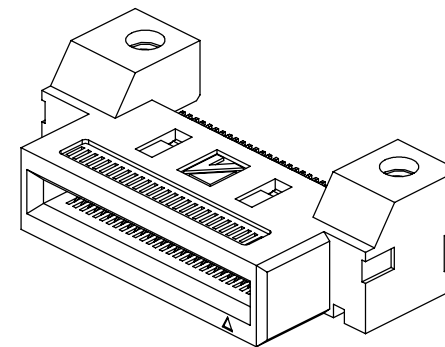
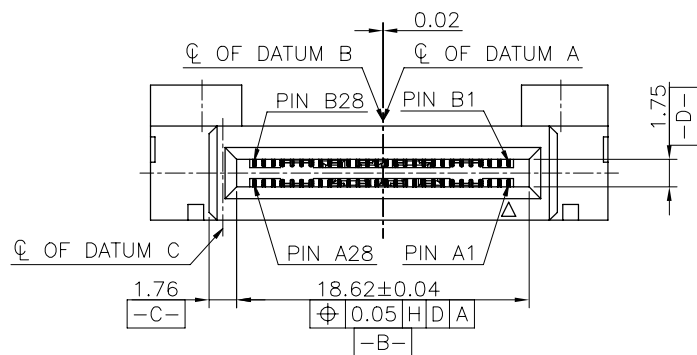
1. MATERIAL :
 - 1.1 HOUSING : THERMOPLASTIC, HIGH TEMP., UL94V-0; COLOR : BLACK.
 - 1.2 CONTACT : COPPER ALLOY
 - 1.3 NUT PLATE : STEEL
2. FINISH :
 - CONTACT : SEE ORDER INFORMATION.
 - SOLDER : TIM PLATING.
 - 50-100u" NICKEL UNDERPLATED OVERALL.
3. REFLOW SOLDER CAPABLE TO 260°C PER ACES SPEC.
4. SPEC. PLS. REFER TO PS-52725-XXXXX-XXX
5. PACKAGE PLS. REFER TO 52725-056XX-XX-TRAY
6. RECOMMENDED SCREW SPEC.
 - SCREW SIZE: M2
 - SCREW LENGTH: 6mm(REF.)
 - HEAD SIZE: ϕ 3.8mm(MAX.), HEIGHT=1.6mm(MAX.)
7. PART NUMBER :

52727 - 056 X X - XXX

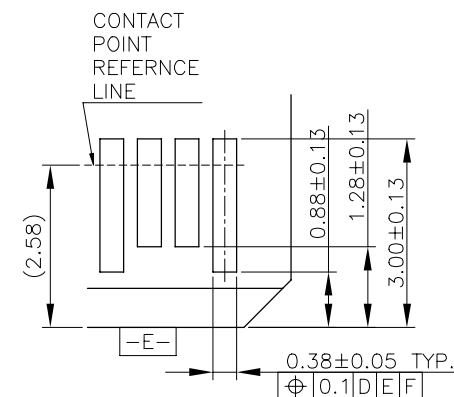
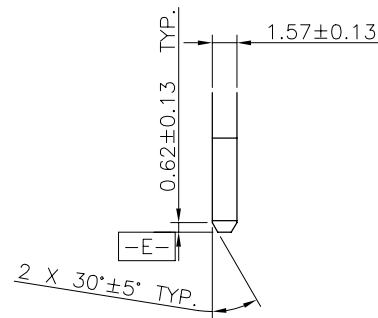
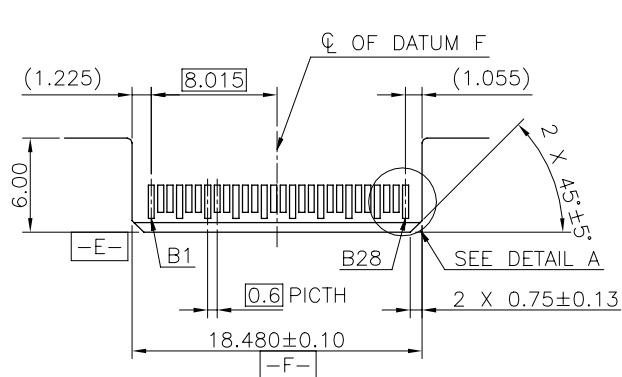
NO OF CKT
056 : 56 CKT (1C)

PACKAGING
2 : SOFT TRAY

001:FOR ACES
PLATING
D : GOLD 30 μ "

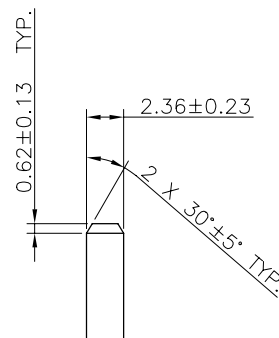
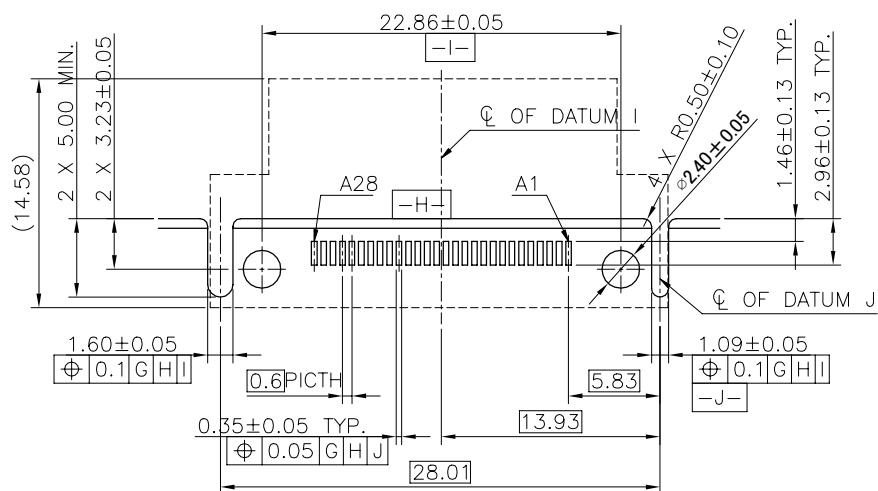


QUALITY SYMBOLS MAJOR \oplus CRITICAL \otimes GENERAL TOLERANCES (UNLESS SPECIFIED) X \pm 0.5 .X \pm 0.25 .XX \pm 0.15 .XXX \pm 0.1 ANGLES \pm 2°	DRAWN BY Huang, Wen Ying CHECKED BY Lee, I Hung APPROVED BY Lee, I Hung	DATE 21/05/26 DATE 21/05/26 DATE 21/05/26	 0.6mm PITCH EDGE CARD CONN. STRADDLE D/R S/T TYPE.		
	UNITS mm			SIZE A4	RFQ NO. N/A
	SCALE 2:1	SHEET NO. 1 OF 3		REV A	DWG NO. 52727-056XX-XXX



DETAIL A
SCALE 8:1

NOTE: 1. POSITION A1 ON OPPOSITE SIDE OF CARD OF B1.
2. DATUM D IS THE PCB SOLDER SURFACE.
RECOMMENDED EDGE CARD LAYOUT
(BASE ON SFF-TA-1002 SPECIFICATION)



NOTE: 1. POSITION A1 ON OPPOSITE SIDE OF CARD OF B1.
2. DATUM G IS THE PCB SOLDER SURFACE.
RECOMMENDED HOST BOARD LAYOUT
(BASE ON SFF-TA-1002 SPECIFICATION)

QUALITY SYMBOLS MAJOR Ⓢ CRITICAL Ⓢ GENERAL TOLERANCES (UNLESS SPECIFIED) X ±0.5 .X ±0.25 .XX ±0.15 .XXX ±0.1 ANGLES ±2°	DRAWN BY Huang, Wen Ying	DATE 21/05/26	
	CHECKED BY Lee, I Hung	DATE 21/05/26	
	APPROVED BY Lee, I Hung	DATE 21/05/26	UNITS
	SCALE 2:1	SHEET NO. 2 OF 3	SIZE A4
			RFQ NO. N/A
			DWG NO. 52727-056XX-XXX



CONNECTOR CONTACT IDENTIFICATION

CONTACT NUMBER	SIDE A	SIDE B
1	GROUND	GROUND
2	SIGNAL	SIGNAL
3	SIGNAL	SIGNAL
4	GROUND	GROUND
5	SIGNAL	SIGNAL
6	SIGNAL	SIGNAL
7	GROUND	GROUND
8	SIGNAL	SIGNAL
9	SIGNAL	SIGNAL
10	GROUND	GROUND
11	SIGNAL	SIGNAL
12	SIGNAL	SIGNAL
13	GROUND	GROUND
14	SIGNAL	SIGNAL
15	SIGNAL	SIGNAL
16	GROUND	GROUND
17	SIGNAL	SIGNAL
18	SIGNAL	SIGNAL
19	GROUND	GROUND
20	SIGNAL	SIGNAL
21	SIGNAL	SIGNAL
22	GROUND	GROUND
23	SIGNAL	SIGNAL
24	SIGNAL	SIGNAL
25	GROUND	GROUND
26	SIGNAL	SIGNAL
27	SIGNAL	SIGNAL
28	GROUND	GROUND

QUALITY SYMBOLS MAJOR Ⓜ CRITICAL Ⓢ GENERAL TOLERANCES (UNLESS SPECIFIED) X ±0.5 .X ±0.25 .XX ±0.15 .XXX ±0.1 ANGLES ±2°	DRAWN BY Huang, Wen Ying	DATE 21/05/26	
	CHECKED BY Lee, I Hung	DATE 21/05/26	
	APPROVED BY Lee, I Hung	DATE 21/05/26	RFQ NO. N/A
	UNITS mm		SIZE A4
SCALE 2 : 1	SHEET NO. 3 OF 3	REV A	DWG NO. 52727-056XX-XXX